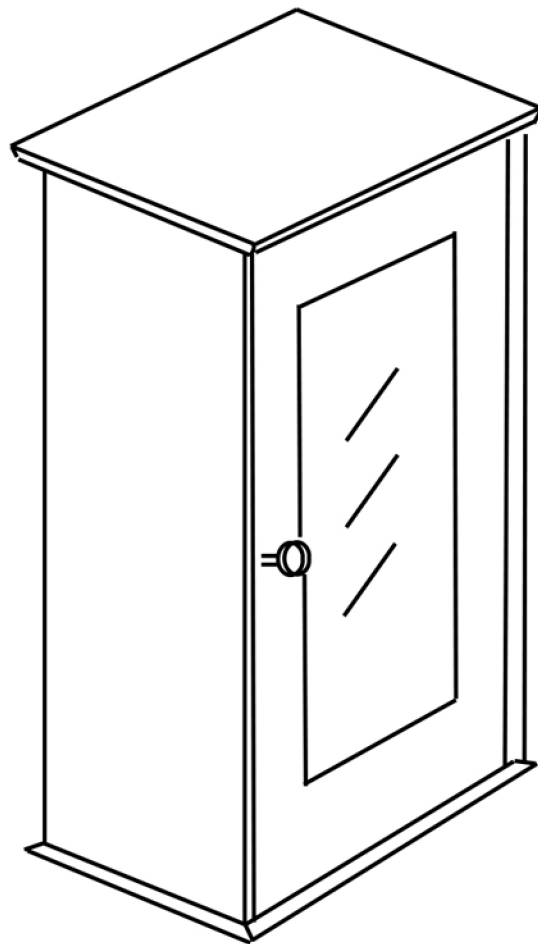















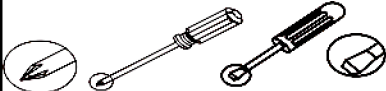



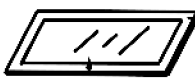





# CABINET WITH MIRROR



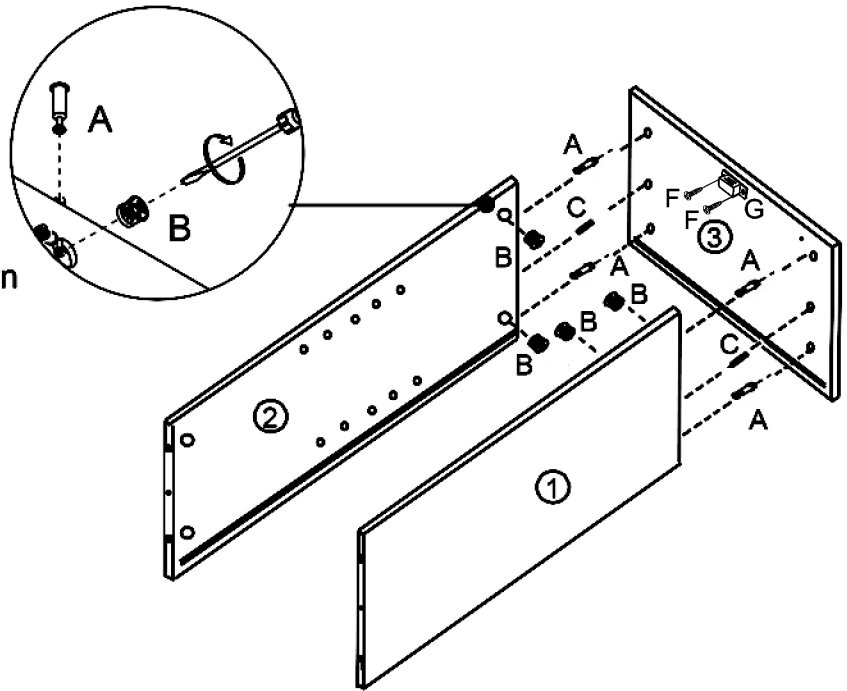
Please check you have all parts before starting assembly

Hardware List							
Label	Picture	Description	QTY	Label	Picture	Description	QTY
A		Cam Lock Screw	8 PCS	H			8 PCS
B		Cam Lock	8 PCS	I		Shelf Support Pin	2 PCS
C		Wood Dowel	4 PCS	J		Plastic Expanding	2 PCS
D		Knob	1 PC	K		Screw	2 PCS
E		Bolt(Knob)	1 PC	L			6 PCS
F		Screw	2 PCS	M		Iron Wall Strap	2 PCS
G		Magnet Latch	1 PC	N			1 PC
				O			2 PCS
Label	Picture		Description			QTY	
T-1			Screwdriver(not provided)			2	

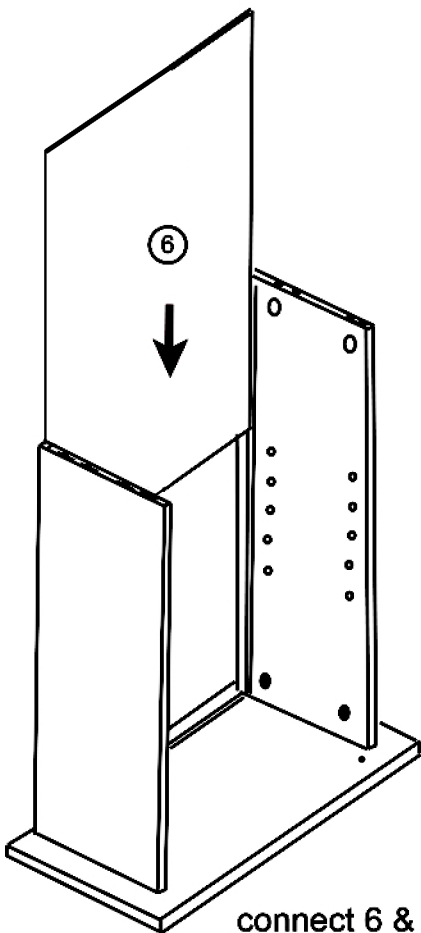
Parts List							
Label	Picture	Description	QTY	Label	Picture	Description	QTY
1		LEFT SIDE PANEL	1	6		BACK PANEL	1
2		RIGHT SIDE PANEL	1	7		MIRROR DOOR	1
3		BOTTOM PANEL	1				
4		SHELF PANEL	2				
5		TOP PANEL	1				

## Step 1

Insert B & C as shown  
Affix A to panel 3  
connect panel 1.2.3 as shown



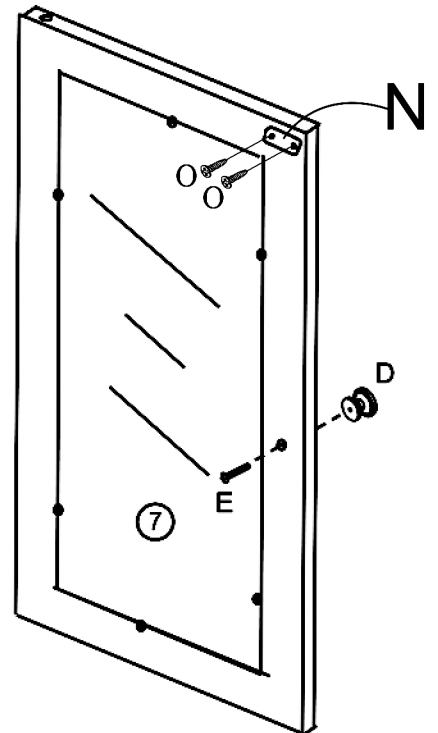
## Step 2



connect 6 & 8 as shown

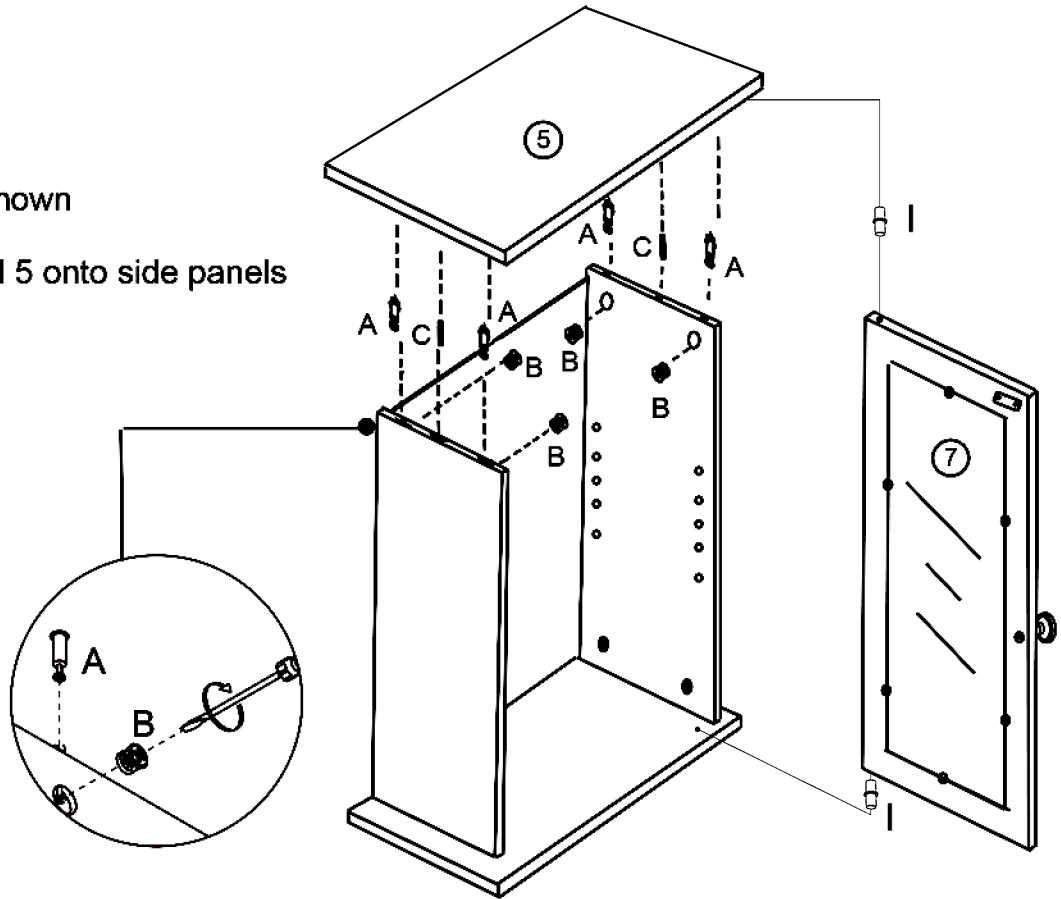
## Step 3

Insert L as shown  
Affix knob D with screw E



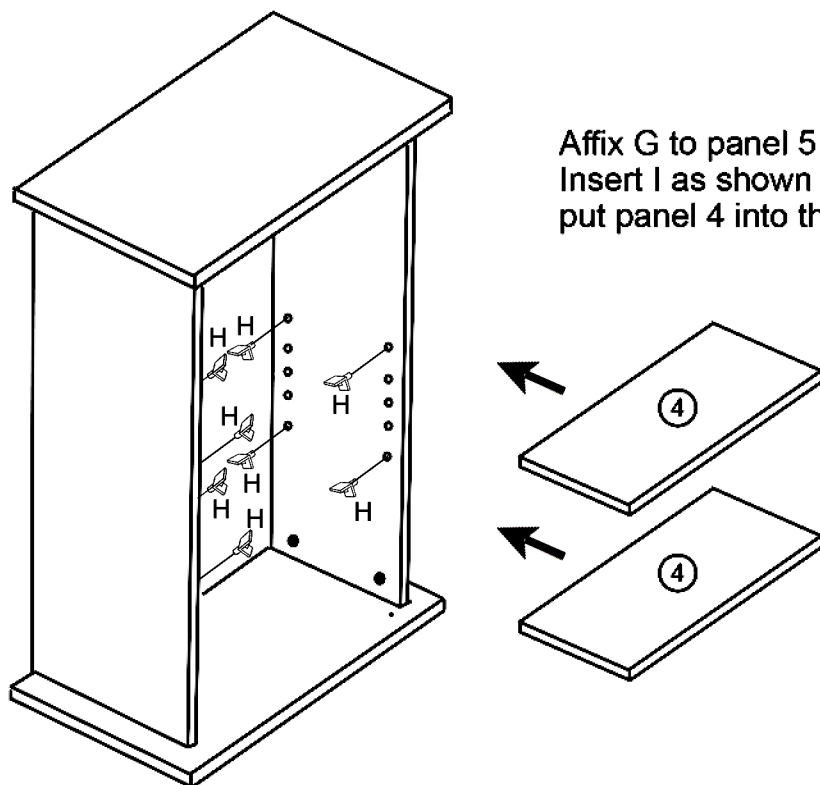
# Step 4

Insert B & C as shown  
Affix A to panel 5  
connect top panel 5 onto side panels

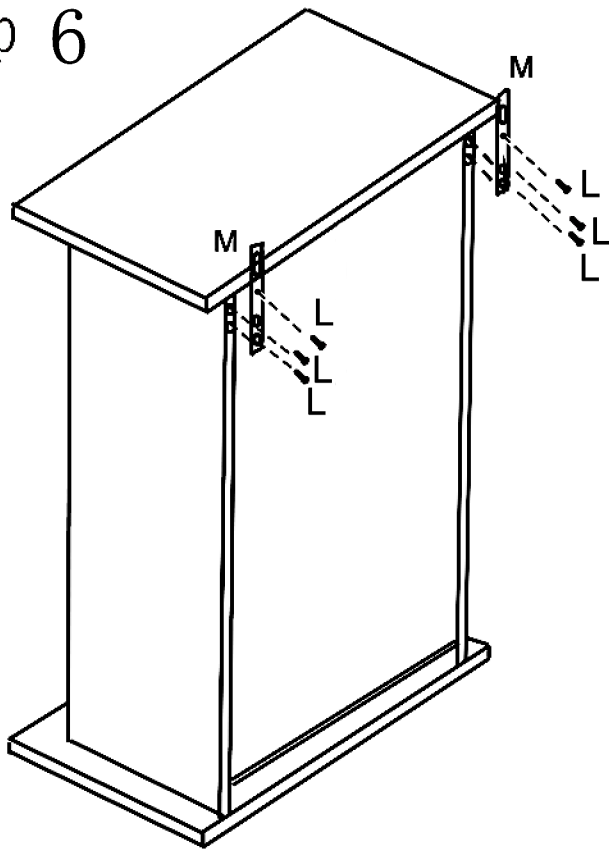


# Step 5

Affix G to panel 5 with screw F  
Insert I as shown  
put panel 4 into the cabinet

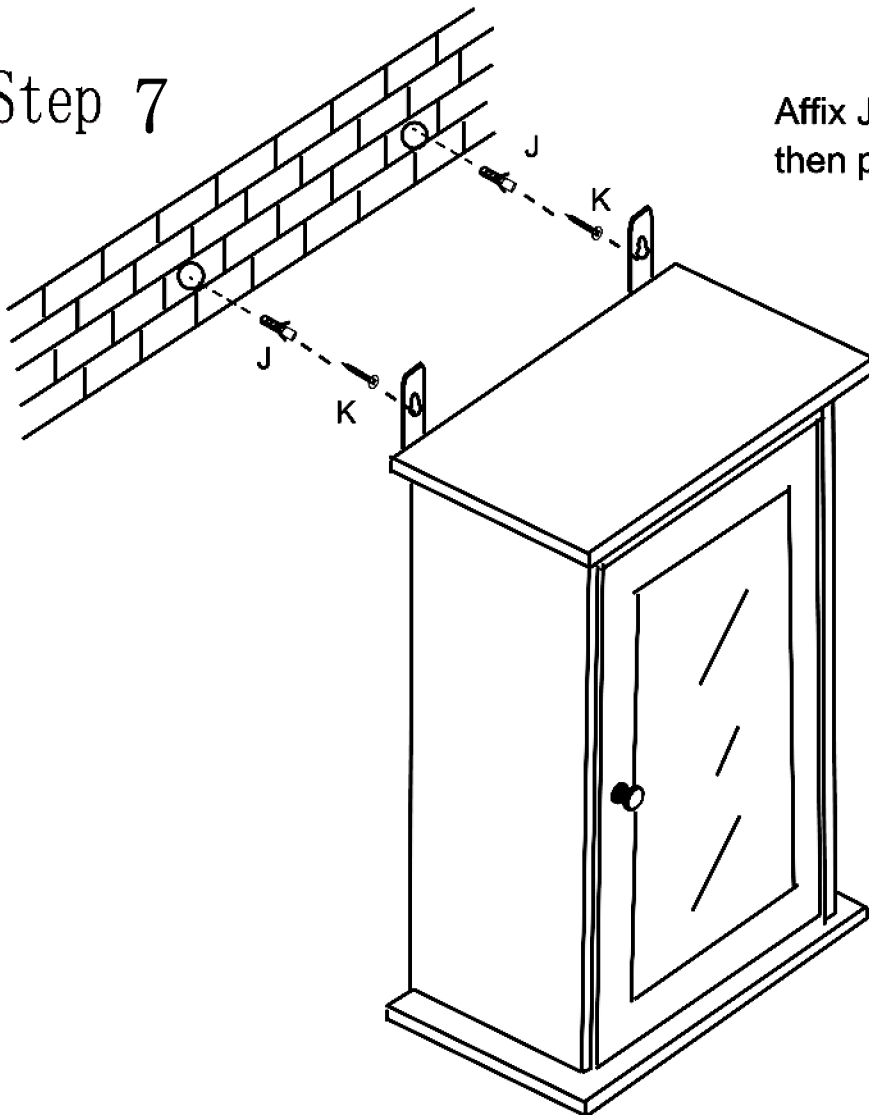


# Step 6



Affix M on the side panel with F

# Step 7



Affix J & K on the wall then put the cabinet on screw K.